



# 80 X 133MM VARIABLE SPEED BRUSHLESS ORBITAL SANDER

MODEL NO: **DAS151PS**

Thank you for purchasing a Sealey product. Manufactured to a high standard, this product will, if used according to these instructions, and properly maintained, give you years of trouble free performance.

**IMPORTANT:** PLEASE READ THESE INSTRUCTIONS CAREFULLY. NOTE THE SAFE OPERATIONAL REQUIREMENTS, WARNINGS & CAUTIONS. USE THE PRODUCT CORRECTLY AND WITH CARE FOR THE PURPOSE FOR WHICH IT IS INTENDED. FAILURE TO DO SO MAY CAUSE DAMAGE AND/OR PERSONAL INJURY AND WILL INVALIDATE THE WARRANTY. KEEP THESE INSTRUCTIONS SAFE FOR FUTURE USE.



Refer to instruction manual



Wear protective gloves



Wear eye protection



Wear face mask



Wear ear protection



Keep tool dry

## 1. SAFETY

### 1.1. ELECTRICAL SAFETY

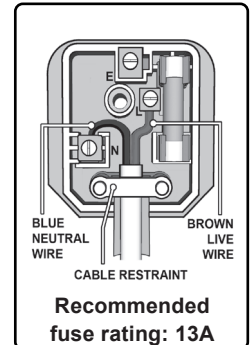
- ❑ **WARNING!** It is the user's responsibility to check the following:  
Check all electrical equipment and appliances to ensure that they are safe before using. Inspect power supply leads, plugs and all electrical connections for wear and damage. Sealey recommend that an RCD (Residual Current Device) is used with all electrical products.

If the product is used in the course of business duties, it must be maintained in a safe condition and routinely PAT (Portable Appliance Test) tested.

Electrical safety information, it is important that the following information is read and understood.

- 1.1.1. Ensure that the insulation on all cables and on the appliance is safe before connecting it to the power supply.
- 1.1.2. Regularly inspect power supply cables and plugs for wear or damage and check all connections to ensure that they are secure.
- 1.1.3. **IMPORTANT:** Ensure that the voltage rating on the appliance suits the power supply to be used and that the plug is fitted with the correct fuse - see fuse rating in these instructions.
  - ✗ **DO NOT** pull or carry the appliance by the power cable.
  - ✗ **DO NOT** pull the plug from the socket by the cable. Remove the plug from the socket by maintaining a firm grip on the plug.
  - ✗ **DO NOT** use worn or damaged cables, plugs or connectors. Ensure that any faulty item is repaired or replaced immediately by a qualified electrician.

- 1.1.4. This product is fitted with a BS1363A 3 pin plug.  
If the cable or plug is damaged during use, switch the electricity supply and remove from use. Replace a damaged plug with a BS1363A 3 pin plug. If in doubt contact a qualified electrician. Class II products are wired with live (brown) and neutral (blue) only are marked with the Class II symbol;
  - A) Connect the BROWN live wire to the live terminal 'L'.
  - B) Connect the BLUE neutral wire to the neutral terminal 'N'.
  - C) After wiring, check that there are no bare wires and ensure that all wires have been correctly connected. Ensure that the cable outer sheath extends inside the cable restraint and that the restraint is tight.



**DO NOT** connect either wire to the earth terminal.  
Sealey recommend that repairs are carried out by a qualified electrician.

- ✓ Power tool plugs must match the outlet.
- ✗ Never modify the plug in any way. Do not use any adaptor plugs with earthed (grounded) power tools. Unmodified plugs and matching outlets will reduce risk of electric shock. Avoid body contact with earthed or grounded surfaces, such as pipes, radiators, ranges and refrigerators. There is an increased risk of electric shock if your body is earthed or grounded.
- ✗ **DO NOT** expose power tools to rain or wet conditions. Water entering a power tool will increase the risk of electric shock.
- ✗ **DO NOT** abuse the cord. Never use the cord for carrying, pulling, or unplugging the power tool. Keep cord away from the heat, oil, sharp edges or moving parts. Damaged or entangled cords increase the risk of electric shock. When operating a power tool outdoors, use an extension cord suitable for outdoor use. Use of a cord suitable for outdoor use reduces the risk of electric shock. If operating a power tool in a damp location is unavoidable, use a residual current device (RCD) protected supply. Use of an RCD reduces the risk of electric shock.

### 1.2. GENERAL POWER TOOL SAFETY WARNINGS

- ❑ **WARNING!** Read all safety warnings and all instructions, illustrations and specifications provided with this power tool. This power tool is intended to function as a sander. Operations such as grinding, wire brushing, polishing or cutting off are not recommended to be performed with this power tool. Failure to follow the warnings and instructions may result in electric shock, fire and/or serious injury.
- ❑ **WARNING!** Ensure that Health & Safety, local authority and general workshop practice regulations are adhered to when using this sander.
- ✓ Save all warnings and instructions for future reference.
- ✗ **DO NOT** use accessories which are not specifically designed and recommended by the tool manufacturer.
- ✓ The rated speed of the accessory must be at least equal to the maximum speed marked on the power tool.
- ✓ The outside diameter and the thickness of the accessory must be within the capacity rating of your power tool.
- ✓ Threaded mounting of accessories must match the sander's thread.
- ✗ **DO NOT** use a damaged accessory. Inspect accessories before each use. If the tool or accessory is dropped, inspect for damage.
- ✓ After inspecting and installing an accessory, position yourself and bystanders away from the plane of the rotating accessory and run the power tool at maximum no-load speed for one minute.

## WORK AREA SAFETY

- ✓ Keep work area clean and well lit. Cluttered or dark areas invite accidents.
- ✗ **DO NOT** operate power tools in explosive atmospheres, such as in the presence of flammable liquids, gases or dust. Power tools create sparks which may ignite the dust or fumes.
- ✓ Keep children and bystanders away while operating a power tool. Distractions can cause you to lose control.

## 1.3. PERSONAL SAFETY

- ✓ Stay alert, watch what you are doing and use common sense when operating a power tool. **DO NOT** use a power tool while you are tired or under the influence of drugs, alcohol or medication. A moment of inattention while operating power tools may result in serious personal injury.
- ✓ Keep handles and grasping surfaces dry, clean and free from oil and grease. Slippery handles and grasping surfaces do not allow for safe handling and control of the tool in unexpected situation.
- ✓ Use personal protective equipment. Always wear eye protection. Protective equipment such as dust mask, non-skid safety shoes, hard hat or hearing protection use for appropriate conditions will reduce personal injuries. Prevent unintentional starting. Ensure the switch is in the off position before connecting to power source and/or battery pack, picking up or carrying the tool. Carrying power tools with your fingers on the switch or energising power tools that have the switch on invites accidents. Remove any adjusting key or wrench before turning the power tool on. A wrench or a key left attached to a rotating part of the power tool may result in personal injury.
- ✓ If devices are provided for the connection of dust extraction and collection facilities, ensure these are connected and properly used. Use of dust collection can reduce dust-related hazards.
- ✗ **DO NOT** let familiarity gained from frequent use of tools allow you to become complacent and ignore tool safety principles. A careless action can cause severe injury within a fraction of a second.
- ✓ Remove any adjusting key or wrench before turning the power tool on.
- ✗ **DO NOT** overreach. Keep proper footing and balance at all times. This enables better control of the power tool in unexpected situations.
- ✓ Dress properly. **DO NOT** wear loose clothing or jewellery. Keep your hair, clothing and gloves away from moving parts. Loose clothes, jewellery or long hair can be caught in moving parts.
- ✓ Keep bystanders a safe distance away from work area. Anyone entering the work area must wear personal protective equipment.
- ✓ Position the power cord clear of the spinning accessory.
- ✓ Never lay the power tool down until the accessory has come to a complete stop.
- ✗ **DO NOT** run the power tool while carrying it at your side.
- ✓ Regularly clean the power tool's air vents.
- ✓ If devices are provided for the connection of dust extraction and collection facilities, ensure these are connected and properly used.
- ✗ **DO NOT** operate the power tool near flammable materials.
- ✗ **DO NOT** use accessories that require liquid coolants.

## 1.4. KICKBACK AND RELATED WARNINGS

- ✓ Maintain a firm grip on the power tool and position your body and arm to allow you to resist kickback forces. Always use the auxiliary handle, if provided, for maximum control over kick back or torque reaction during start-up.
- ✗ Never place your hand near a rotating accessory.
- ✗ **DO NOT** position your body in the area where the power tool will move if kickback occurs.
- ✓ Use special care when working corners, sharp edges etc. Avoid bouncing and snagging the accessory.

## 1.5. POWER TOOL USE AND CARE

- ✗ **DO NOT** force the power tool. Use the correct power tool for your application. The correct power tool will do the job better and safer at the rate for which it was designed.
- ✗ **DO NOT** use the power tool if the switch does not turn it on and off. Any power tool that cannot be controlled with the switch is dangerous and must be repaired.
- ☐ **WARNING!** Disconnect the plug from the mains supply before making any adjustments, changing accessories, or storage.
- ✓ Store idle power tools out of the reach of children and do not allow persons unfamiliar with the power tool or these instructions to operate the power tool. Power tools are dangerous in the hands of untrained users.
- ✓ Maintain power tools. Check for misalignment or binding of moving parts, breakage of parts and any other condition that may affect the power tool's operation. If damaged, have the power tool repaired before use. Many accidents are caused by poorly maintained power tools.
- ✓ Use the power tool, accessories and tool bits etc. in accordance with these instructions, taking into account the working conditions and the work to be performed. Use of the power tool for operations different from those intended could result in a hazardous situation.

## 1.6. SERVICE

- ✓ Have your power tool serviced by a qualified repair person using only identical replacement parts. This will ensure that the safety of the power tool is maintained. Unauthorised parts may be dangerous and will invalidate the warranty.

## 1.7. SPECIFIC SANDER SAFETY

- ☐ **WARNING!** Disconnect from mains supply and ensure that the pad is at a complete standstill before changing accessories, servicing or performing any maintenance.
- ☐ **WARNING!** Keep all guards and holding screws in place, tight and in good working order.
- ✗ **DO NOT** use excessively oversized sanding disc paper. Follow manufacturer's recommendations, when selecting sanding discs.
- ✓ Check regularly for damaged parts. A guard or any other part that is damaged must be repaired/replaced before the sander is next used.
- ✓ Keep the sander clean for best and safest performance.
- ✓ Before each use check all attachments for condition. If worn or damaged replace immediately.
- ✗ **DO NOT** switch the sander on until the head is in contact with the panel and switch the unit off before removing the head from the panel.
- ✗ **DO NOT** get the sander wet or use in damp or wet locations or areas where there is condensation.
- ✗ **DO NOT** allow untrained persons to operate the sander.
- ✓ When not in use, unplug from the mains power supply and store in a safe, dry, childproof area.

### LEAD PAINT WARNING!

Paint once contained lead as a traditional ingredient. The dust from the removal of such paint is toxic if inhaled or ingested and must, therefore, be avoided. The following action must be taken before using the sander on a surface that you suspect may have contained lead in the paint.

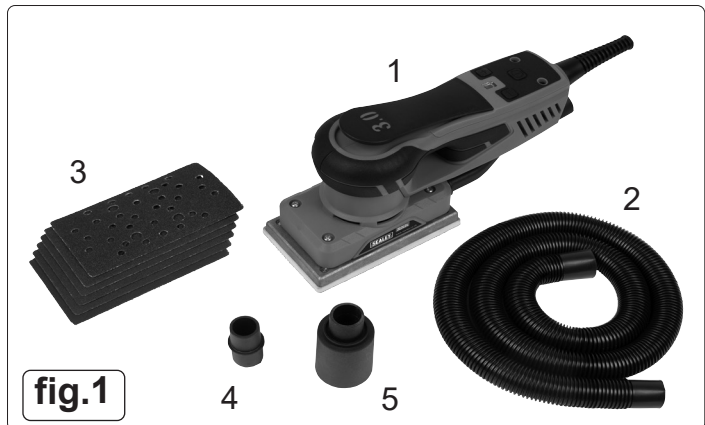
1. User must determine potential hazard relating to age of paint to be removed. (Modern paints do not contain lead).
2. **DANGER!** Keep all persons and pets away from the work area. The following are particularly vulnerable to the effects of lead paint dust: Expectant women, babies and children.
3. We recommend personal protection by using the following safety items:
  - a) Paint Spray Respirator.
  - b) PE Coated Hooded Coverall.
  - c) Latex Gloves.
4. Take adequate measures to contain the paint dust, flakes, and scrapings.
5. Continue to wear safety equipment as in 3 above, and thoroughly clean all areas when task is complete. Ensure that paint waste is disposed of, in sealed bags or containers, according to local authority regulations.

## 2. INTRODUCTION

Brush-less motor adjusts to the pressure applied maintaining a constant speed ensuring consistent sanding. The well-balanced motor has very low vibration levels creating less user fatigue. Seven selectable speeds from 4,000-10,000rpm in 1,000rpm increments. LED digital display. 80 x 133mm Backing pad with 3mm orbit. Fitted with a dust extraction port and Supplied with 1m dust extraction hose, 2 x hose adaptors, 3mm hex key and 6 x sanding sheets (grits - P80, P100, P120, P150, P180, P240).

## 3. CONTENTS

CONTENTS	
1	DAS151PS Sander
2	1m Dust extraction hose
3	Sanding Pads x 6 (Grits P80, P100, P120, P150, P180, P240).
4	Adaptor (A)
5	Adaptor (B)
3mm Hex key (Not shown on fig.1.)	



## 4. SPECIFICATION

**Model No:** ..... DAS151PS  
**Fuse Rating:** ..... 13A  
**Motor Power:** ..... 350W  
**Noise Power/Pressure:** ..... 90/80dB(A)  
**No-Load Speed:** ..... 4000-10000rpm  
**Orbit Size:** ..... Ø3mm  
**Pad Size:** ..... 80 x 133mm  
**Plug Type:** ..... 3-Pin BS  
**Power Supply Cable Length:** ..... 2m  
**Supply:** ..... 230V~50Hz  
**Vibration/Uncertainty:** ..... 3.221m/s<sup>2</sup>/1.5m/s<sup>2</sup>

## 5. OPERATION

- **WARNING!** Before use, ensure that you have read and understood Section 1 Safety Instructions.
  - NOTE:** The sander is designed for dry use only.
  - × **DO NOT** use with water or any other liquids.
- 5.1. The sander is intended to be operated as a hand held tool. The tool can be used in any position without affecting performance.
    - NOTE:** The sander can develop a torque reaction when started.
  - 5.2. Make sure the sander is switched off. Select a suitable abrasive pad and secure it to the backing pad. Make sure the abrasive is centred on the sanding pad. For optimal performance we recommend original Sealey sanding pads.
  - 5.3. Switch on the sander by pressing the On/Off key (see fig.2).
  - 5.4. The speed can be adjusted between 4,000 and 10000 rpm by rpm + and rpm -. Each press increases or reduces the speed by 1,000 rpm until it reaches its limits. (see fig.2)
  - 5.5. When sanding, always place the sander on the work surface before starting the tool. Always remove the sander from the work surface before stopping it. This will prevent gouging of the work surface due to excess speed of the abrasive.
  - 5.6. When sanding is finished, turn off the sander by pressing the On/Off key.



fig.2

## 5.7. REPLACING THE SANDING PAD

5.8. **WARNING!** Always disconnect the power before maintenance! Only use original sanding pad.

5.9. The triangle is fixed with 8 screws see fig.3

A = 10 mm

B = 20 mm

## 5.10. REMOVE SANDING PAD

5.10.1. Turn the tool upside down

5.10.2. Remove four screws (A).

5.10.3. Remove four screws (B).

5.10.4. Remove the oblong shaped pad.

## 5.11. INSTALL SANDING PAD

5.11.1. Install four screws (B).

5.11.2. Install four screws (A).

5.11.3. Finally tighten all screws.

## 5.12. ATTACHING SANDING PAPER

5.13. Sand paper can be attached quickly and simply to the sanding pad. Press the self-adhesive sanding paper onto the sanding pad.

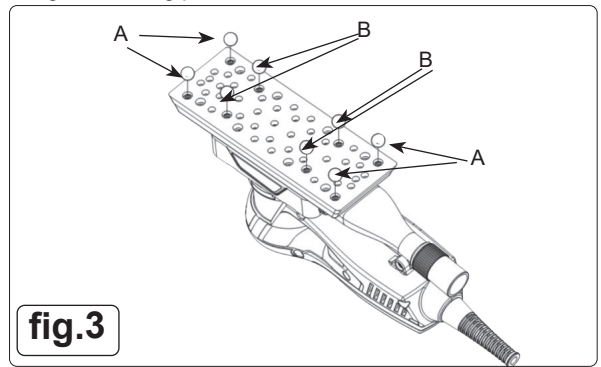
**NOTE:** In the case of poor adhesion of the sanding paper, replace the sanding pad as it may come loose and cause injuries.

## 5.14. DUST EXTRACTION

Dust can be hazardous to health. Always work with a dust extractor. Always read applicable national regulations before extracting hazardous dust. Connect the 40mm hose to an appropriate vacuum outlet.

### RECOMMENDATION

Use an anti-static suction hose. This helps reduce the electric charge.



## 6. MAINTENANCE

- ❑ **WARNING!** Disconnect sander from power supply before changing accessories, servicing or performing maintenance. Replace or repair any damaged parts. Use genuine parts only, unauthorised parts may be dangerous and will invalidate the warranty.

6.1. After each 50 hours use (or as required), remove dust by blowing air through the side vents and around the pad bearing. Regular cleaning will prolong the life of the sander.

6.2. Change pads when required. Ensure pad and ratings are equal to, or exceed the machine rating. If the pad becomes unbalanced, it will cause the bearings to wear. To change the backing pad refer to 5.7.

6.3. When not in use store in a safe, dry, childproof location.

6.4. All other service and maintenance be carried out by an authorised Sealey stockist.

- ❑ **WARNING! – Risk of Hand Arm Vibration Injury.**

**This tool may cause Hand Arm Vibration Syndrome if its use is not managed adequately.**

This tool is subject to the vibration testing section of the Machinery Directive 2006/42/EC.

This tool is to be operated in accordance with these instructions.

**Measured vibration emission value (a): 3.221m/s<sup>2</sup>**

**Uncertainty value(k): 1.5m/s<sup>2</sup>**

*Please note that the application of the tool to a sole specialist task may produce a different average vibration emission. We recommend that a specific evaluation of the vibration emission is conducted prior to commencing with a specialist task.*

A health and safety assessment by the user (or employer) will need to be carried out to determine the suitable duration of use for each tool.

**NB:** Stated Vibration Emission values are type-test values and are intended to be typical.

Whilst in use, the actual value will vary considerably from and depend on many factors.

Such factors include; the operator, the task and the inserted tool or consumable.

**NB:** ensure that the length of leader hoses is sufficient to allow unrestricted use, as this also helps to reduce vibration.

*The state of maintenance of the tool itself is also an important factor, a poorly maintained tool will also increase the risk of Hand Arm Vibration Syndrome.*

### Health surveillance.

We recommend a programme of health surveillance to detect early symptoms of vibration injury so that management procedures can be modified accordingly.

### Personal protective equipment.

We are not aware of any personal protective equipment (PPE) that provides protection against vibration injury that may result from the uncontrolled use of this tool. We recommend a sufficient supply of clothing (including gloves) to enable the operator to remain warm and dry and maintain good blood circulation in fingers etc. Please note that the most effective protection is prevention, please refer to the Correct Use and Maintenance section in these instructions. Guidance relating to the management of hand arm vibration can be found on the HSC website

[www.hse.gov.uk](http://www.hse.gov.uk) - Hand-Arm Vibration at Work.

The declared vibration total value(s) and the declared noise emission value(s) have been measured in accordance with a standard test method and may be used for comparing one tool with another. The declared vibration total values and the declared noise emission values may also be used in a preliminary assessment of exposure.

The vibration and noise emissions during actual use of the power tool can differ from the declared values depending on the ways in which the tool is used, especially what kind of work-piece is processed. The need to identify safety measures to protect the operator that are based on an estimation of exposure in the actual condition of use.



#### ENVIRONMENT PROTECTION

Recycle unwanted materials instead of disposing of them as waste. All tools, accessories and packaging should be sorted, taken to a recycling centre and disposed of in a manner which is compatible with the environment. When the product becomes completely unserviceable and requires disposal, drain any fluids (if applicable) into approved containers and dispose of the product and fluids according to local regulations.



REGISTER YOUR  
PURCHASE HERE

**Note:** It is our policy to continually improve products and as such we reserve the right to alter data, specifications and component parts without prior notice.

**Important:** No Liability is accepted for incorrect use of this product.

**Warranty:** Guarantee is 12 months from purchase date, proof of which is required for any claim.

Sealey Group, Kempson Way, Suffolk Business Park, Bury St Edmunds, Suffolk. IP32 7AR

 01284 757500

 sales@sealey.co.uk

 www.sealey.co.uk